

Klinik : \_\_\_\_\_

Datum : \_\_\_\_\_

**DELTACOR GmbH Rudolf-Diesel-Str. 10**  
**97440 Werneck**  
**Tel.: 09722 9220 Fax: 09722 9221**

## Canulated Moreaxial Screws

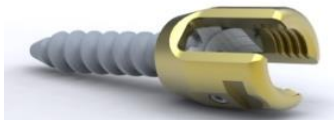
### 5.5 mm Diameter

	THREAD LENGTH	Lot
<input type="checkbox"/>	110-1530 30 mm	_____
<input type="checkbox"/>	110-1535 35mm	_____
<input type="checkbox"/>	110-1540 40mm	_____
<input type="checkbox"/>	110-1545 45mm	_____



### 6.5 mm Diameter

	THREAD LENGTH	Lot
<input type="checkbox"/>	110-1625 * 25mm	_____
<input type="checkbox"/>	110-1630 * 30mm	_____
<input type="checkbox"/>	110-1635 35mm	_____
<input type="checkbox"/>	110-1640 40mm	_____
<input type="checkbox"/>	110-1645 45mm	_____
<input type="checkbox"/>	110-1650 50mm	_____
<input type="checkbox"/>	110-1655 55mm	_____



### 7.5 mm Diameter

	THREAD LENGTH	Lot
<input type="checkbox"/>	110-1740 40mm	_____
<input type="checkbox"/>	110-1745 45mm	_____
<input type="checkbox"/>	110-1750 50mm	_____



## Rods

### 5.5 mm rached MIC Rods

	LENGTH	Lot
<input type="checkbox"/>	110-1040 40mm	_____
<input type="checkbox"/>	110-1050 50mm	_____
<input type="checkbox"/>	110-1060 60mm	_____
<input type="checkbox"/>	110-1070 70mm	_____
<input type="checkbox"/>	110-1080 80mm	_____
<input type="checkbox"/>	110-1090 90mm	_____
<input type="checkbox"/>	110-1100 100mm	_____
<input type="checkbox"/>	110-1110 110mm	_____
<input type="checkbox"/>	110-1120 120mm	_____
<input type="checkbox"/>	110-1130 130mm	_____






## Rods

### 5.5 mm Rached MIC Rods

	LENGTH	Lot
<input type="checkbox"/>	110-1140 140mm	_____
<input type="checkbox"/>	110-1150 150mm	_____
<input type="checkbox"/>	110-1160 160mm	_____
<input type="checkbox"/>	110-1170 170mm	_____
<input type="checkbox"/>	110-1180 180mm	_____
<input type="checkbox"/>	110-1190 190mm	_____
<input type="checkbox"/>	110-1200 200mm	_____

## Zubehör/ accesories

### Universal Blocker for all screws

<input type="checkbox"/>	 Lot	100-1001 Blocker
<input type="checkbox"/>		120-9110 Cement-tube
<input type="checkbox"/>		120-9220 Stamper
<input type="checkbox"/>		KB16410RRTG15 K-Draht

\*ohne Querbohrung (Fensterung)